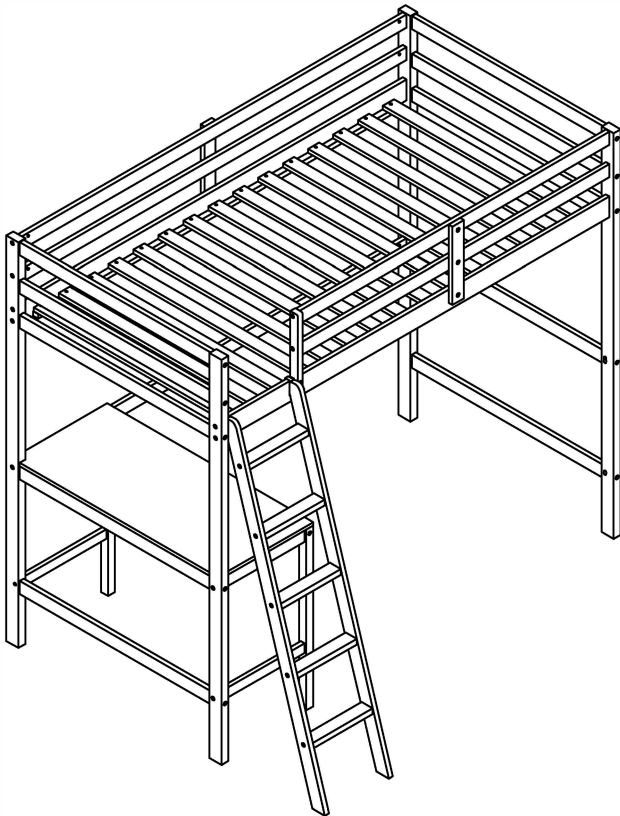


*Thank you for your purchase!*



## Twin Loft Bed With Desk



### ASSEMBLY INSTRUCTIONS

#### **Before You Begin:**

Please identify all component parts and hardware pieces required before you begin. Carefully remove all of the components from the packaging and set aside for assembly. Assemble on a soft surface to prevent scratching during assembly.

#### **Caution:**

Tighten all components securely before use. Failure to do so may result in personal injury. DO NOT use any sharp objects to open plastic wrapped components as damage to product or components may result.

#### **Warning:**

**CHOKING HAZARD** - Small Parts. Adult Assembly Required.

#### **DO NOT ALLOW CHILDREN TO CLIMB ON FURNITURE**

Serious or fatal injuries can occur from furniture tipping over. You must install Tipping Restraint Hardware (where included) to help prevent the unit from tipping and causing accidental injury, instability, death or damage. The tipping restraint is intended only as a safety measure, it is not a substitute for proper adult supervision.

To help prevent furniture from tipping over it must be permanently attached to the wall. Anti-Tip Safety Wall Straps suitable for the unit weight and wall materials (if not included) should be purchased and installed.

Customer Service Email: [CustomerExperience@belnick.com](mailto:CustomerExperience@belnick.com) | Phone: 866-552-2810

MH-LBD5-ESP-T-GG / MH-LBD5-WH-T-GG

**WARNING:**



**To help prevent serious or fatal injuries from entrapment or falls:**

- **Never allow a child under 6 years of age on upper bunk.**
- **Use only mattresses which are 74" - 75" long and 37.5" - 38.5" wide on the upper bunk.**
- **Ensure thickness of the mattress does not exceed 9" and that the mattress is at least 5" below the upper edge of guardrails.**
- **Use guardrails on both sides of the upper bunk.**
- **Prohibit horseplay on or under the bunk/loft bed.**
- **Do not allow more than one person on the upper bunk.**
- **Use the ladder for entering and leaving the upper bunk.**

**STRANGULATION HAZARD:**

**Never attach or hang items to any part of the bunk bed that are not designed for use with the bed including, but not limited to, hooks, belts and jump ropes.**

## **Have a Question/Concern?**

Quality products and first-class customer service are the cornerstone of long-lasting consumer relationships. We strive toward excellence in all we do and want you to be completely satisfied with your purchase.

**Please contact our exceptional Customer Experience Agents at the email address or phone number shown below to assist you with any product questions or issues before requesting a return.**

We look forward to serving you in a friendly, efficient manner to resolve any issues you may have.

**Customer Service Email: [CustomerExperience@belnick.com](mailto:CustomerExperience@belnick.com)**

**Customer Service Phone: 866-552-2810**

## **Our Warranty Statement**

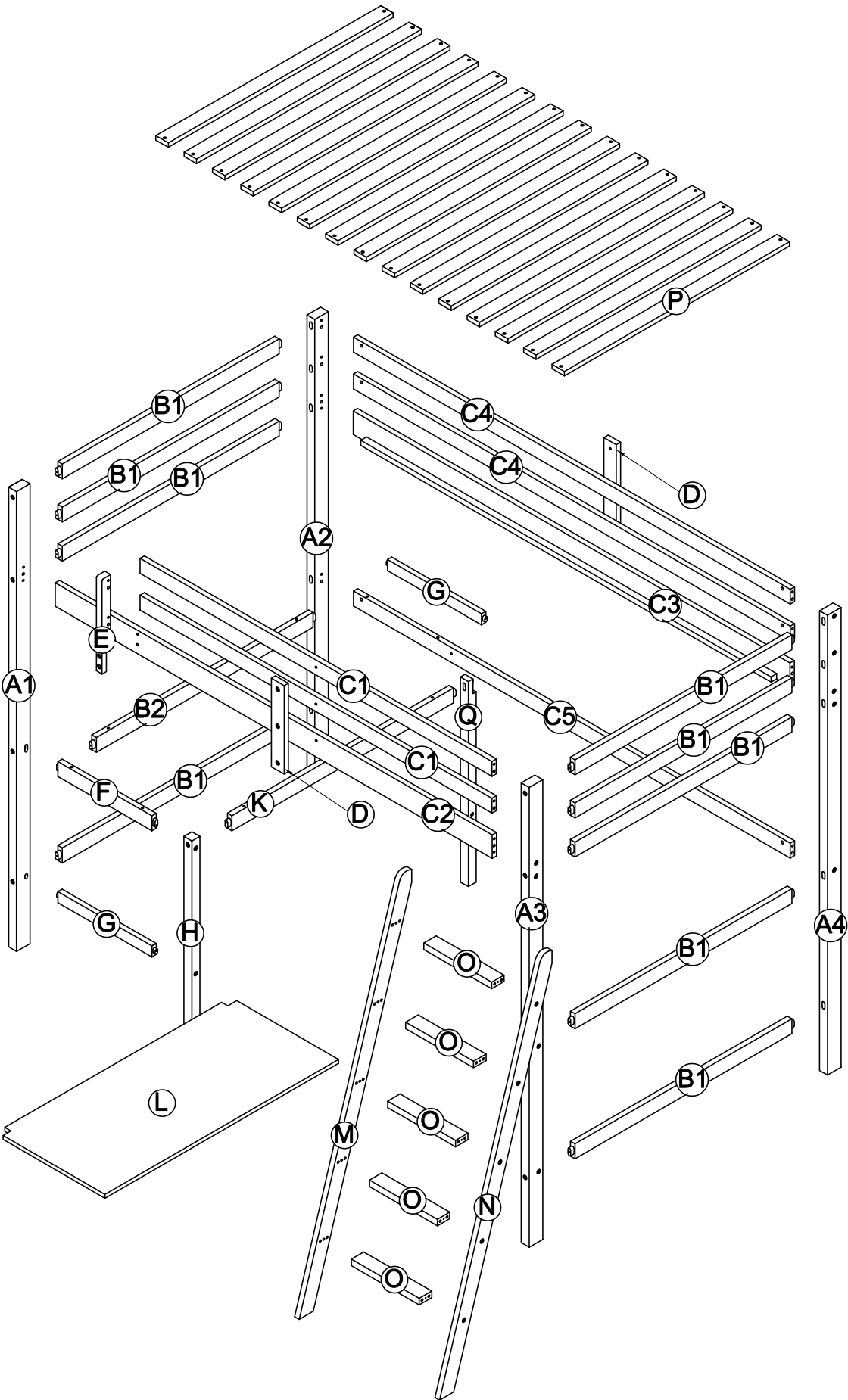
This warranty covers manufacturing defects associated with your new product. The product is warranted from the original purchase date and to the original purchaser for normal usage, according to the below-referenced specifications and limitations.

- Non-moving metal parts are warranted for 5 years.
- Component parts including pneumatic cylinder, control mechanism, base and casters are warranted for 2 years.
- All other items are warranted for 1 year.

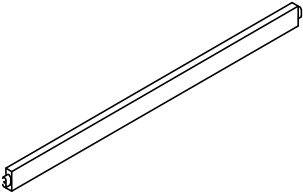
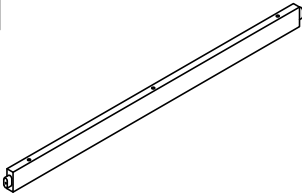
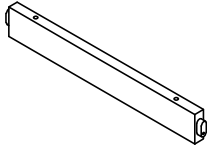

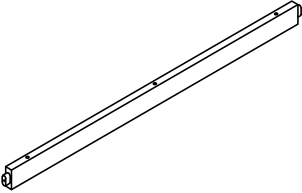
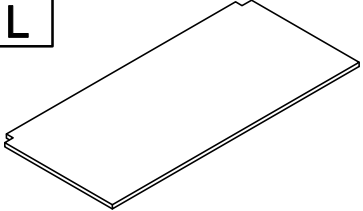
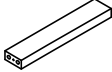
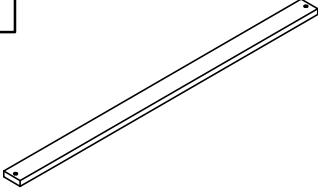

Normal usage means use in compliance with the restrictions and weight limits specified for the product. In the absence of product-specific restrictions and weight limits, normal usage means use for no more than forty hours per week by persons weighing 250 lbs. or less. Coverage terminates if the product is sold or otherwise transferred. Repairs made by parties other than Belnick also void this warranty.

This warranty will not cover: (1) labor, freight, or damage from misuse, abuse, negligence, alteration, assembly, installation, attachments, accident, vandalism, acts of nature or any other event beyond the control of Belnick; (2) tearing, scratching, scuffing, or blemishing of leather or fabric; (3) cosmetic damage that may result from normal usage; (4) damage attributable to use by persons exceeding specified weight limits or commercial use exceeding forty hours per week; or (5) rust or other damage caused by exposure to moisture. The user assumes all risk of injury resulting from use of this product. Liability for incidental or consequential damage is excluded. Some states do not allow the exclusion or limitation of incidental or consequential damages, so the above limitation or exclusion may not apply to you.





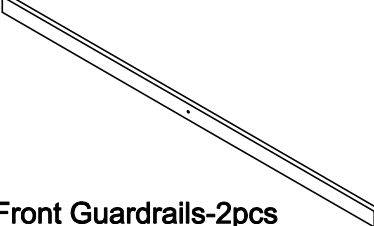
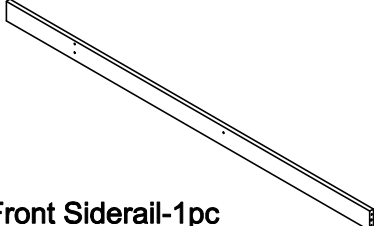
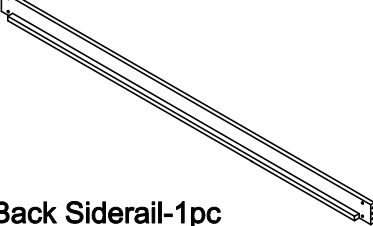
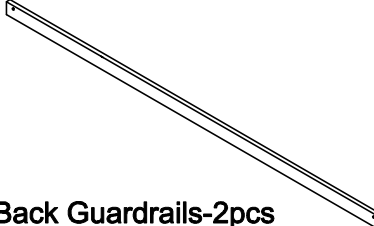
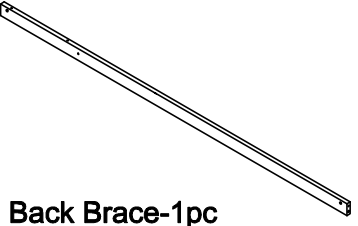

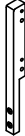
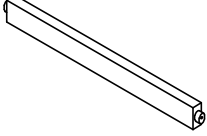


# ASSEMBLY INSTRUCTION





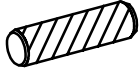
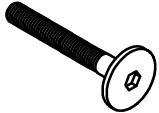
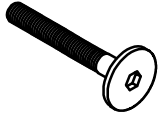



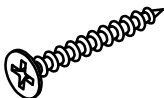

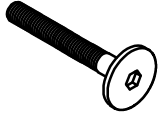

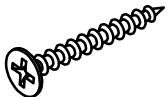

# Part List(BOX 1)

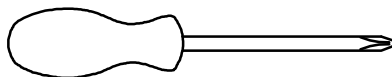
<b>B1</b>  Wood Bars-9pcs	<b>B2</b>  Wood Bar-1pc	<b>F</b>  Upper Desk Brace-1pc
<b>H</b>  Front Center Leg-1pc	<b>K</b>  Front Desk Brace-1pc	<b>L</b>  Desktop-1pc
<b>O</b>  Ladder Steps-5pcs	<b>P</b>  Slats-15pcs	<b>Q</b>  Back Center Leg-1pc

# Part List(BOX 2)

<p><b>A1</b></p>  <p>Front Left Leg-1pc</p>	<p><b>A2</b></p>  <p>Back Left Leg-1pc</p>	<p><b>A3</b></p>  <p>Front Right Leg-1pc</p>
<p><b>A4</b></p>  <p>Back Right Leg-1pc</p>	<p><b>C1</b></p>  <p>Front Guardrails-2pcs</p>	<p><b>C2</b></p>  <p>Front Siderail-1pc</p>
<p><b>C3</b></p>  <p>Back Siderail-1pc</p>	<p><b>C4</b></p>  <p>Back Guardrails-2pcs</p>	<p><b>C5</b></p>  <p>Back Brace-1pc</p>
<p><b>D</b></p>  <p>Front &amp; Back Center Braces -2pcs</p>	<p><b>E</b></p>  <p>Left Brace-1pc</p>	<p><b>G</b></p>  <p>Lower Desk Braces-2pc</p>
<p><b>M</b></p>  <p>Left Ladder Rail-1pc</p>	<p><b>N</b></p>  <p>Right Ladder Rail-1pc</p>	

# Hardware List

<p>1</p>  <p>Screws 1/4" x80 (16pcs)</p>	<p>2</p>  <p>Screws 1/4" x50 (10pcs)</p>	<p>3</p>  <p>Wood dowel Ø10 40mm-34pcs</p>
<p>4</p>  <p>Ø1/4" x 35 mm Hex-Head bolts 2pcs</p>	<p>5</p>  <p>Ø1/4" x 80 mm Hex-Head bolts 18pcs</p>	<p>6</p>  <p>Female Bolt Connector Ø1/4" x 13 mm-18pcs</p>
<p>7</p>  <p>Screws 1/4" x30 (6pcs)</p>	<p>8</p>  <p>Round Weld Nut Ø1/4" x 15 mm-2pcs</p>	<p>9</p>  <p>M4 x 30 mm Wood Screws 30pcs</p>
<p>10</p>  <p>Screws 1/4" x60 (8pcs)</p>	<p>11</p>  <p>Ø1/4" x 60 mm (Head 13) -10pcs</p>	<p>12</p>  <p>Brackets 2pcs</p>
<p>13</p>  <p>M4 x 20 mm Wood Screws 6pcs</p>	<p>14</p>  <p>Allen Wrench 1pc</p>	



**Phillips Screwdriver Required (Not Included)**

Insert wooden nodules on (4) Wood Bars (Part B1) and (1) Wood Bar (Part B2) into the holes in the Left Front Leg (Part A1) and Left Rear Leg (Part A2). Attach using (8) 1/4" x 80 Hex-Head Screws. Tighten using Allen Wrench (Part 14).

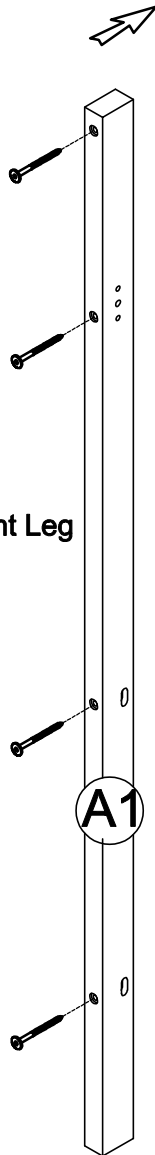
1



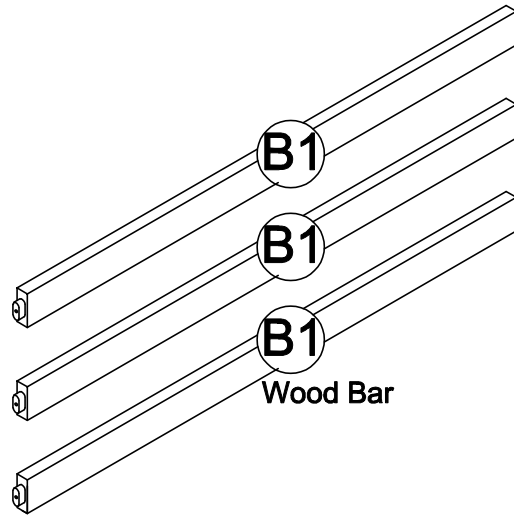
8(pcs)

1/4" x 80 Hex-Head Screw

Left Front Leg



A1



B1

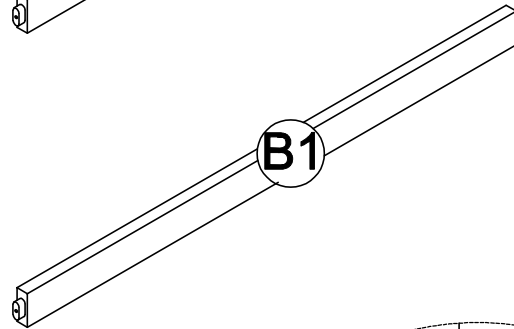
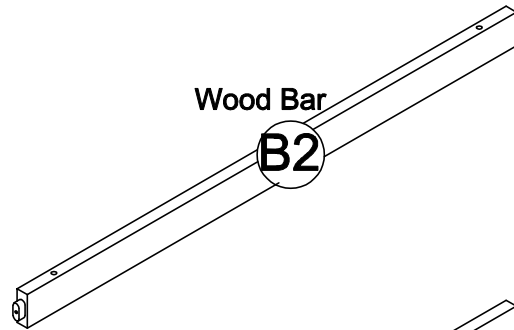
B1

B1

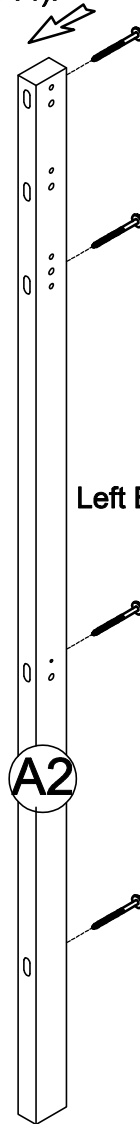
Wood Bar

Wood Bar

B2

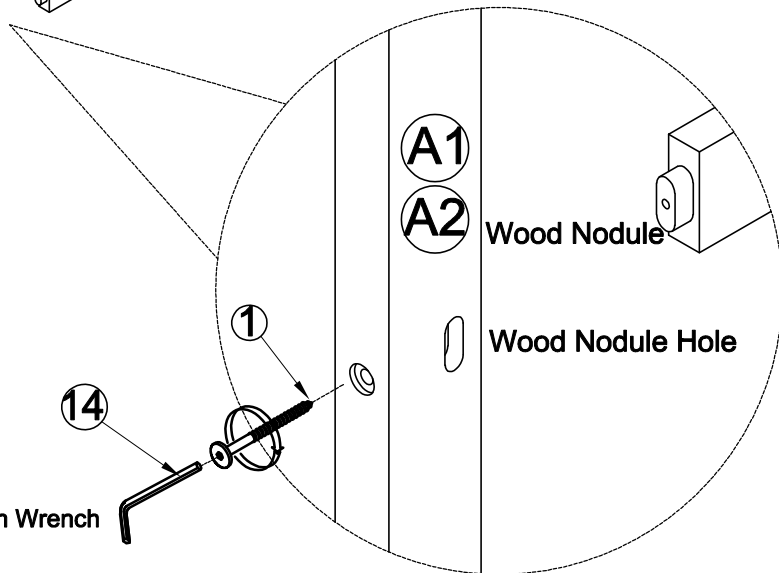


B1



Left Back Leg

A2



Allen Wrench

14

1

A1

A2

Wood Nodule

Wood Nodule Hole

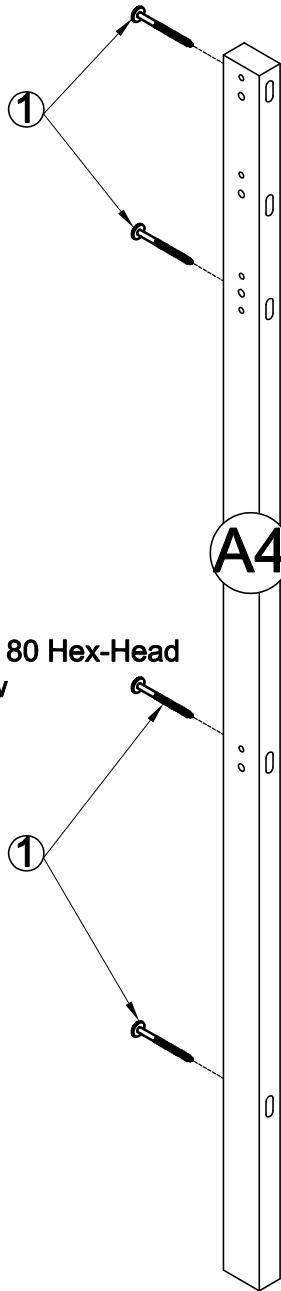


Insert wooden nodules on (5) Wood Bars (Part B1) into the holes in the Right Front Leg (Part A3) and Right Rear Leg (Part A4). Attach using (8) 1/4" x 80 Hex-Head Screws. Tighten using Allen Wrench (Part 14).

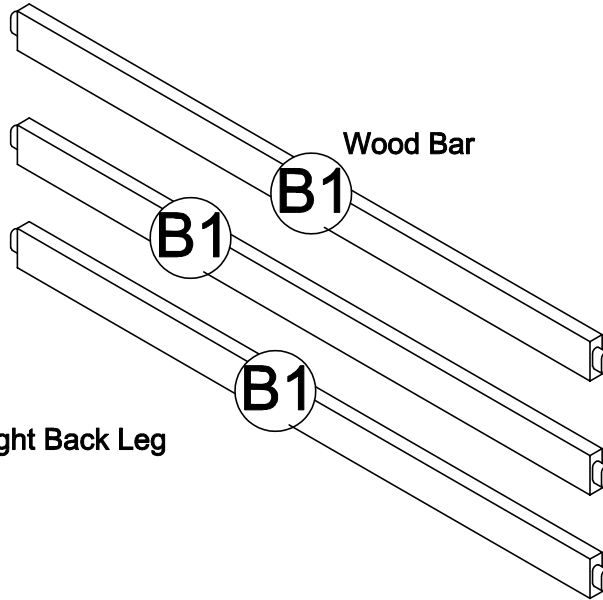
1



8(pcs)

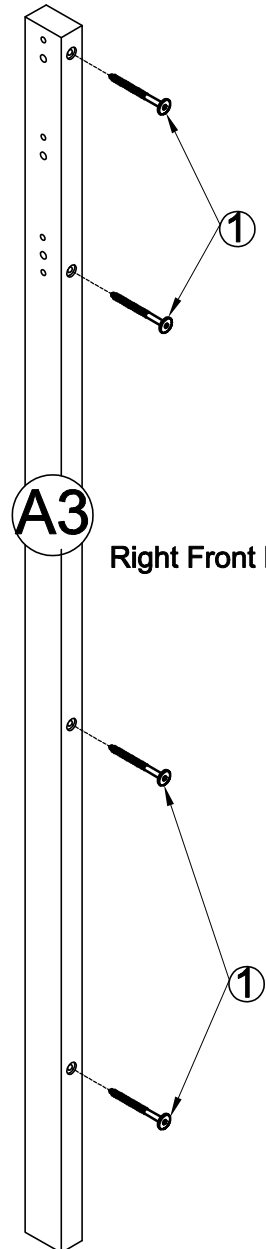
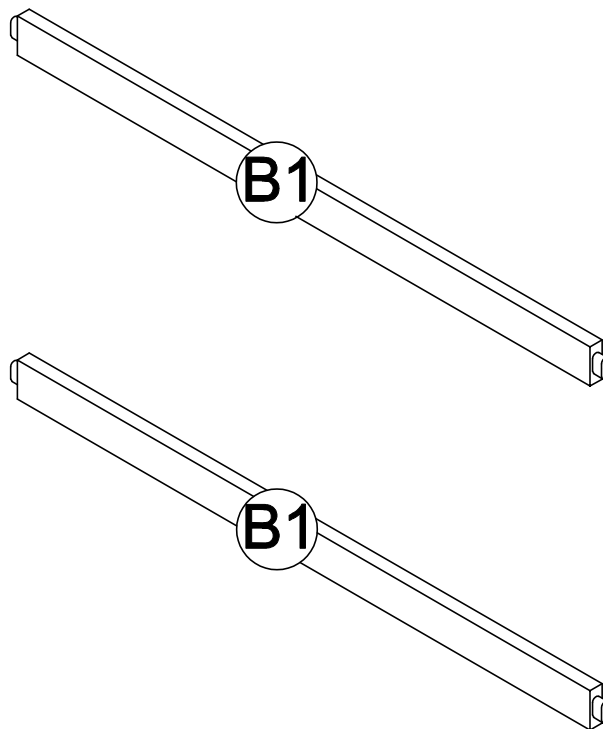


1/4" x 80 Hex-Head Screw



Wood Bar

A4 Right Back Leg

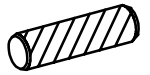


A3 Right Front Leg

08/16

Insert (16) Female Bolt Inserts and (12) Wood Dowels into the Front Siderail (Part C2), Front Guardrails (Part C1), Back Siderail (Part C3), Back Guardrails (Part C4) and Back Brace (Part C5).

3



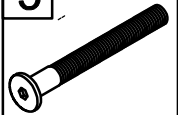
12(pcs)

6

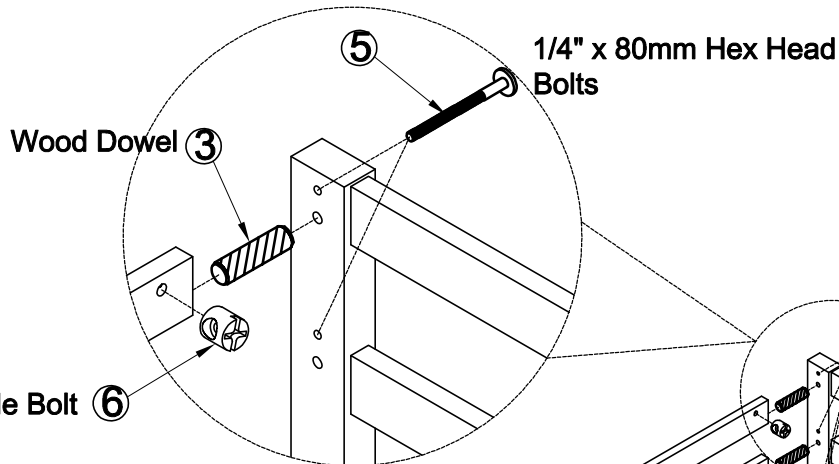


16(pcs)

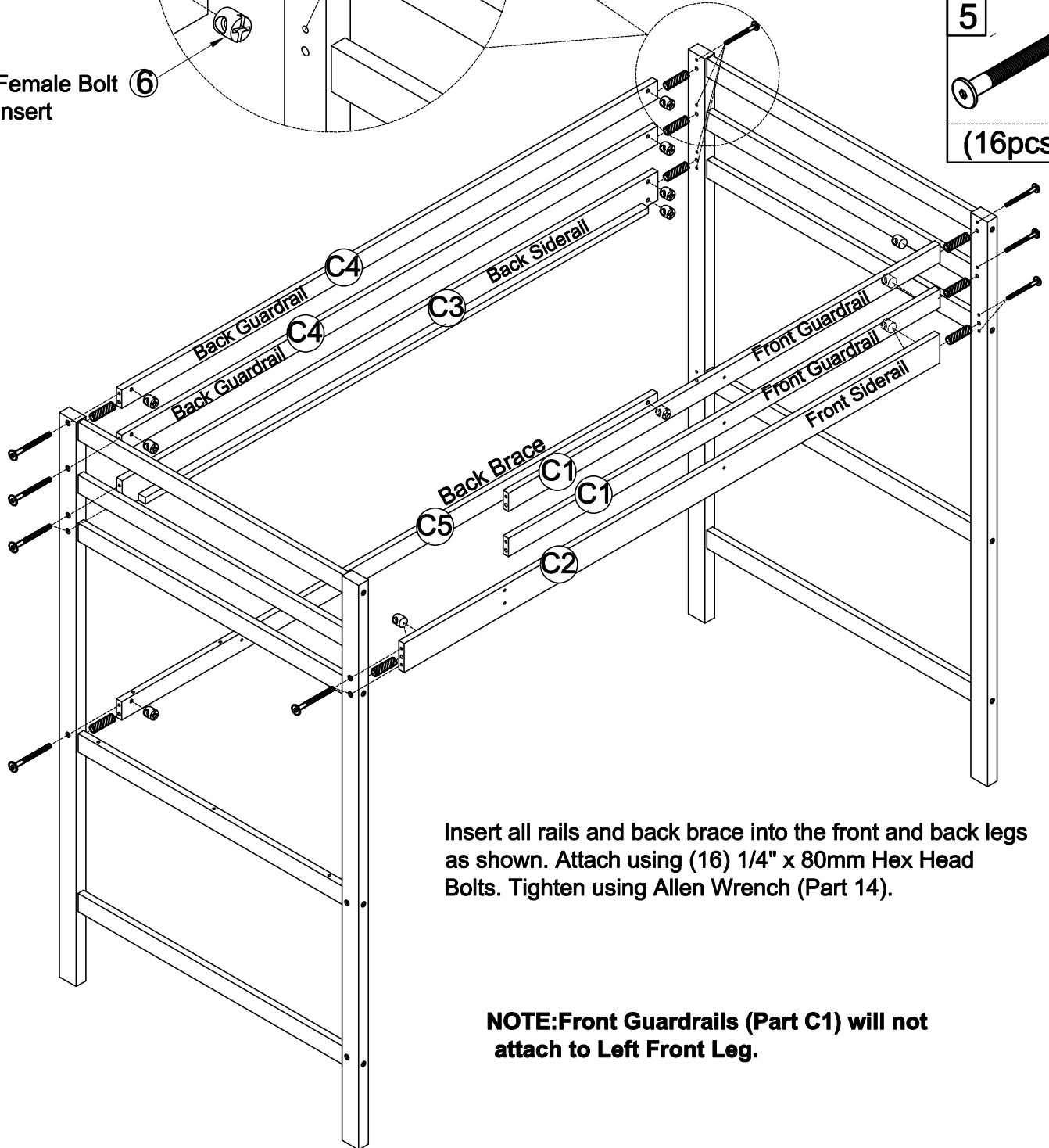
5



(16pcs)



Female Bolt Insert



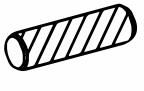





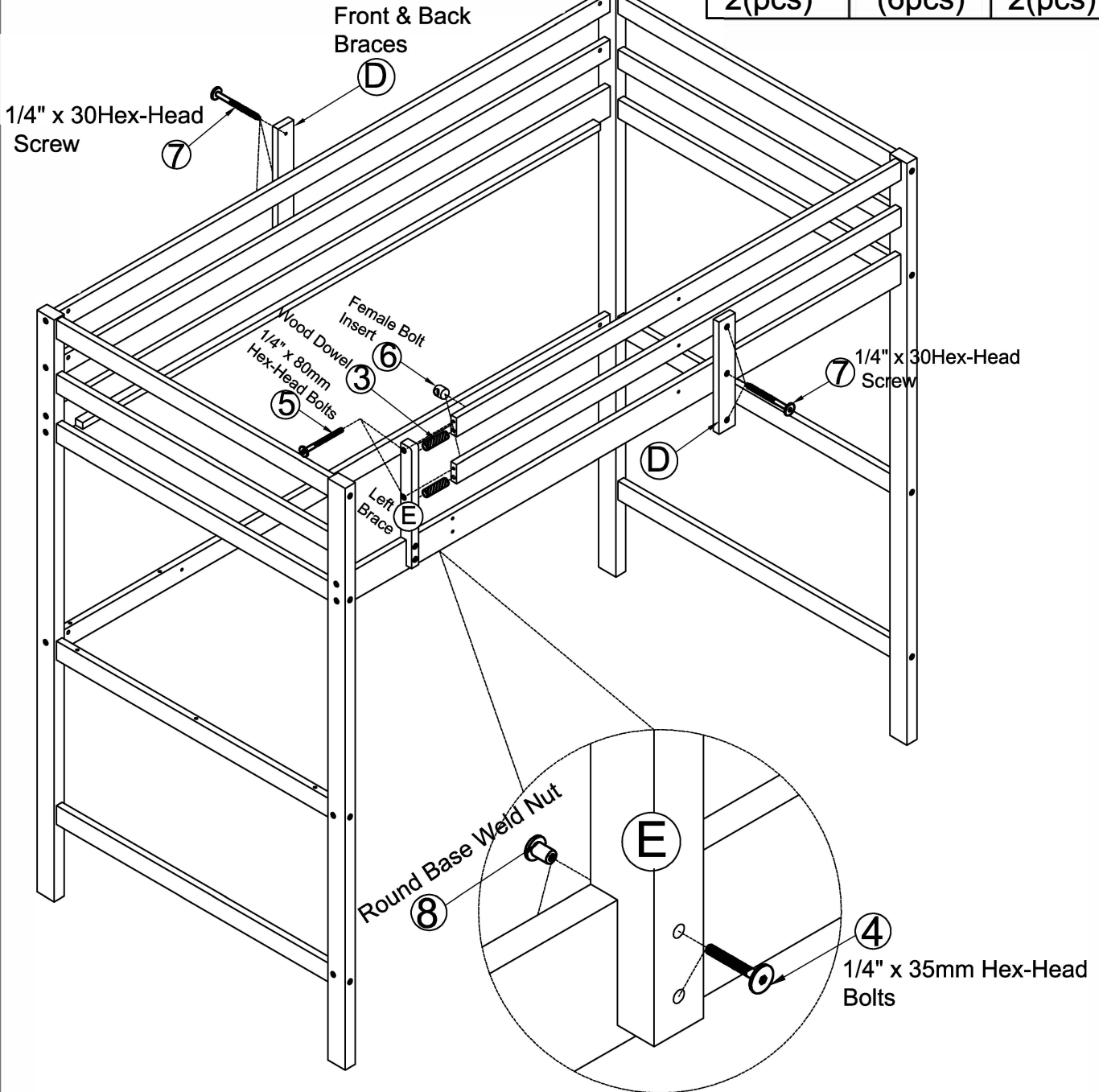
Insert all rails and back brace into the front and back legs as shown. Attach using (16) 1/4" x 80mm Hex Head Bolts. Tighten using Allen Wrench (Part 14).

**NOTE: Front Guardrails (Part C1) will not attach to Left Front Leg.**

Attach the Front & Back Braces (Part D) to the Front and Back Guardrail and Siderail using (6) 1/4" x 30 Hex-Head Screw (Part 7)

Insert (2) Wood Dowels (Part 3) and (2) Female Bolt Inserts (Part 6) into the left side of the Front Guardrails and insert into Left Brace (Part E). Attach Left Brace (Part E) to the Front Siderail using (2) 1/4" x 35mm Hex-Head Bolts (Part 4) and (2) Round Base Weld Nuts (Part 8). Secure Left Brace (Part E) to the Guardrails using (2) 1/4" x 80mm Hex-Head Bolts (Part 5). Tighten using Allen Wrench (Part 14).

4	5	3
		
(2pcs)	(2pcs)	2(pcs)
8	7	6
		
2(pcs)	(6pcs)	2(pcs)

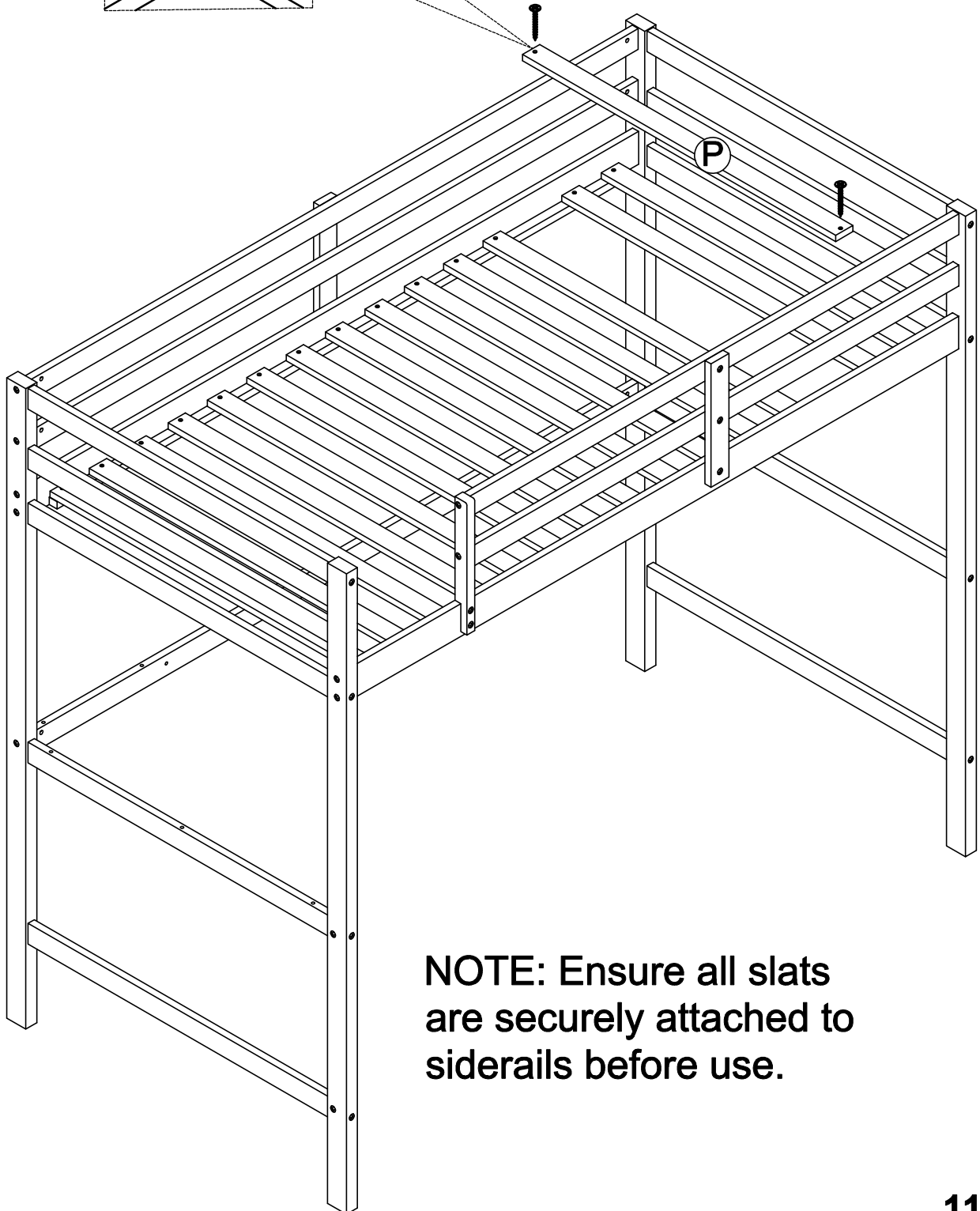
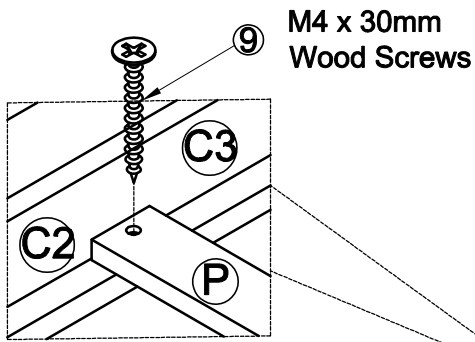


Attach (15) Slats to the Front and Back Siderails using (30) M4 x 30mm Wood Screws. Tighten using a Phillips Screwdriver

9



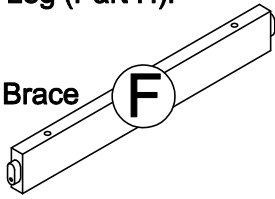
(30pcs)



**NOTE:** Ensure all slats are securely attached to siderails before use.

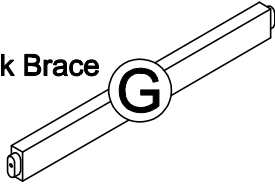
Insert wooden nodules in the Upper Front Desk Brace (Part F) and Lower Front Desk Brace (Part G) into the holes in the Front Center Leg (Part H).

Upper Front Desk Brace

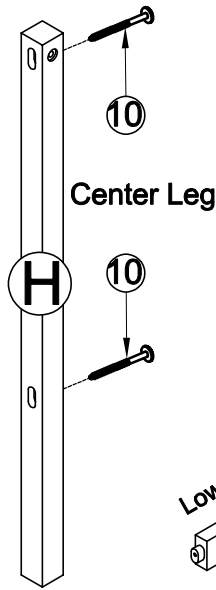


F

Lower Front Desk Brace



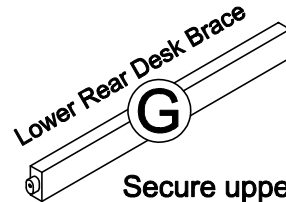
G



Center Leg

H

Insert wooden nodules in the Lower Rear Desk Brace (Part G) into the holes in the Back Center Leg (Part Q).



G



Lower Rear Desk Brace

Q

10



(3pcs)

10

1/4 x 60 Hex Head Bolts

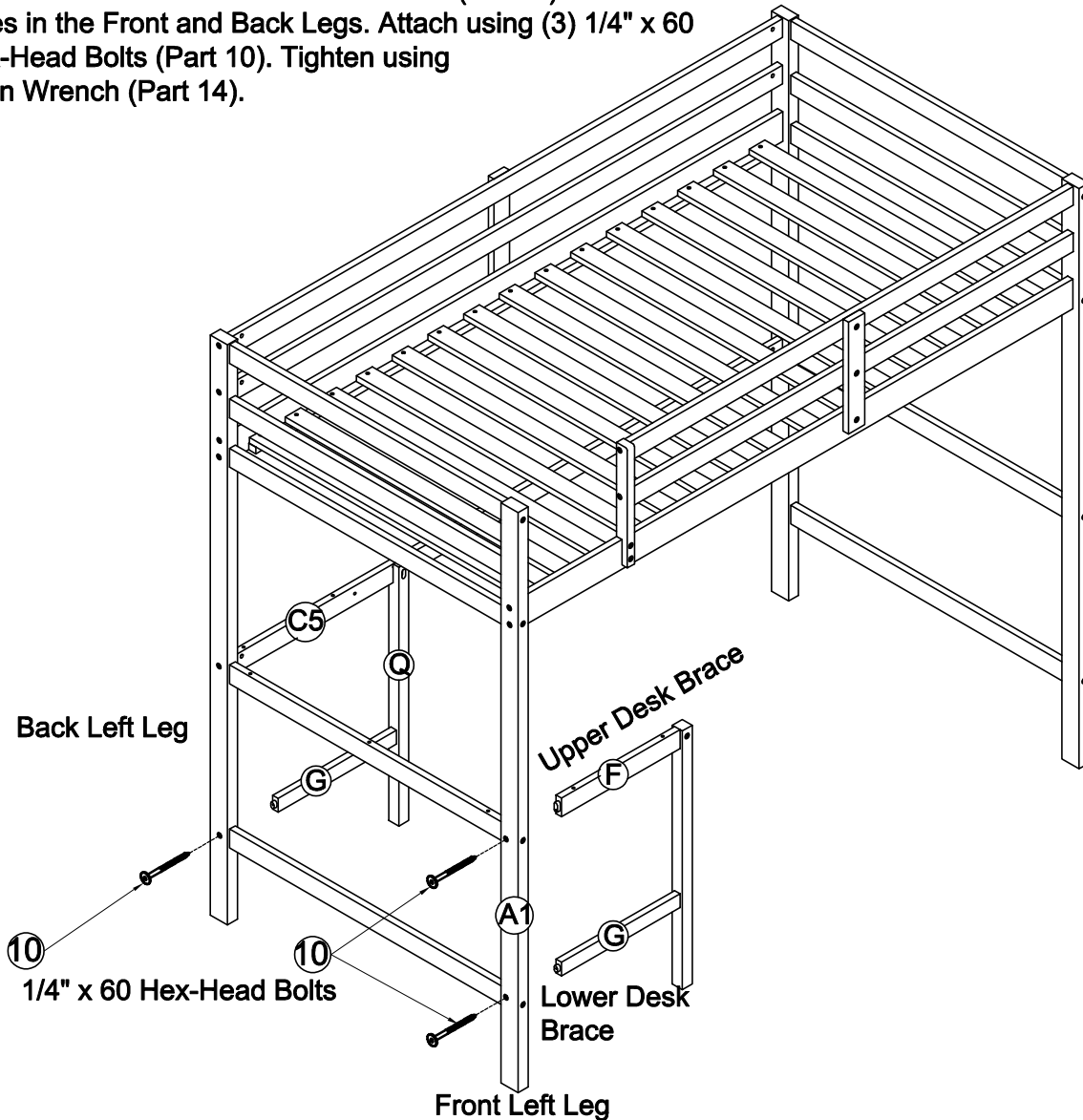
Secure upper and lower braces using (3) 1/4 x 60 Hex Head Bolts. Tighten using Allen Wrench (Part 14).

Insert wooden nodules in the Upper Front Desk Brace (Part F) and Front and Back Lower Desk Braces (Part G) into the holes in the Front and Back Legs. Attach using (3) 1/4" x 60 Hex-Head Bolts (Part 10). Tighten using Allen Wrench (Part 14).


10

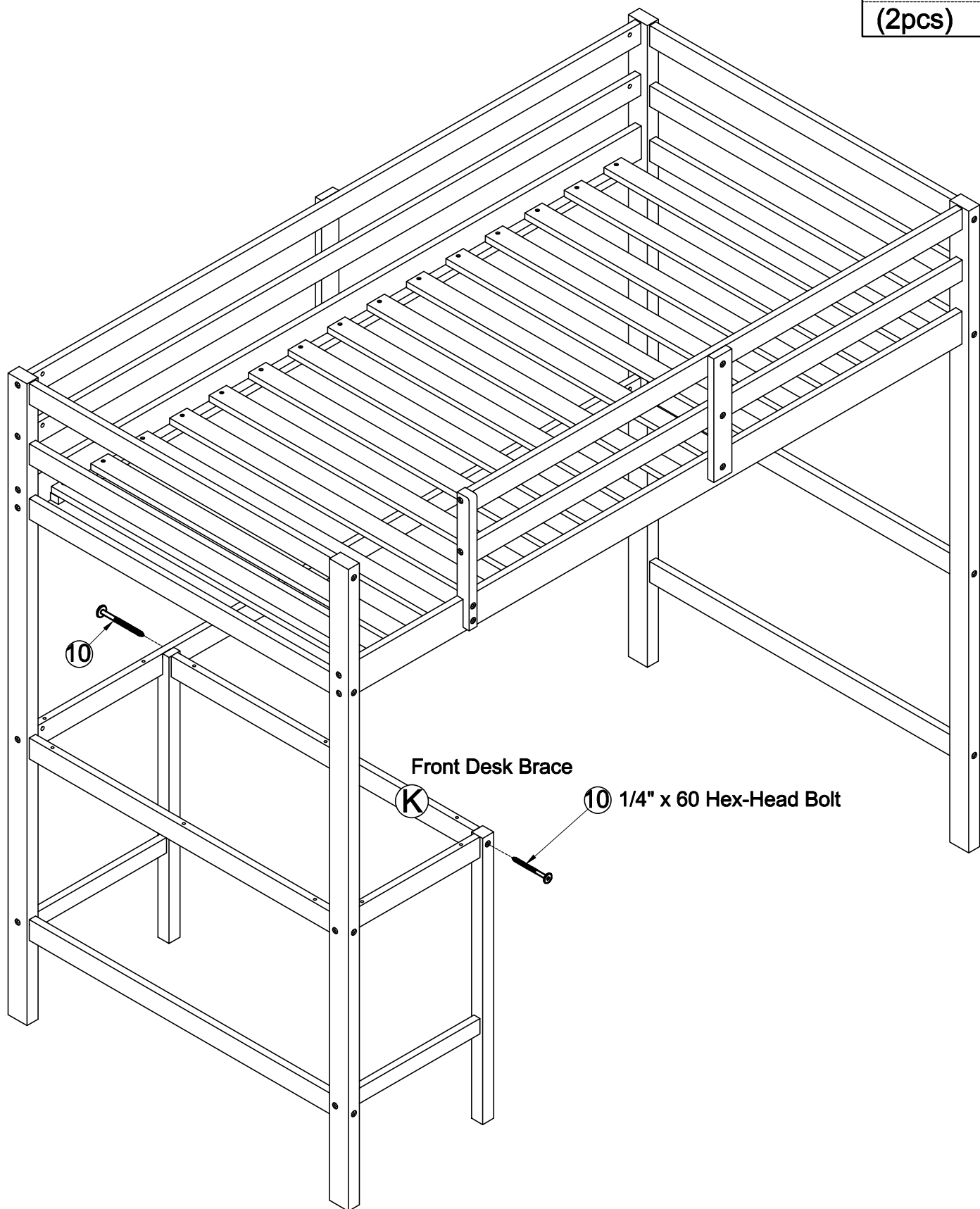


(3pcs)



Attach Front Desk Brace (Part K) to the Front and Back Center Legs using (2) 1/4" x 60 Hex-Head Bolts. Tighten using Allen Wrench (Part 14).

10

(2pcs)

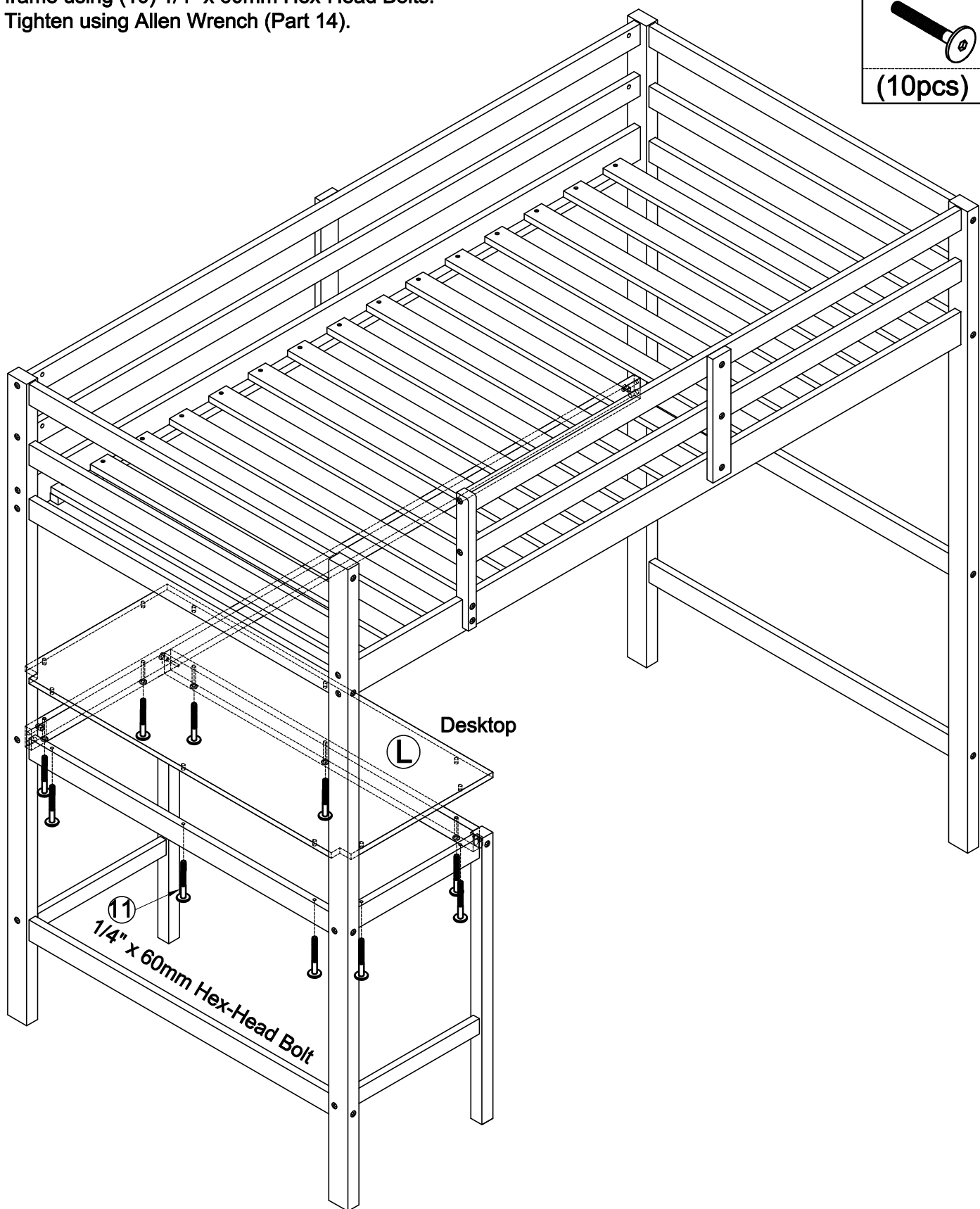


Attach the Desktop (Part L) to the assembled frame using (10) 1/4" x 60mm Hex-Head Bolts. Tighten using Allen Wrench (Part 14).

11



(10pcs)

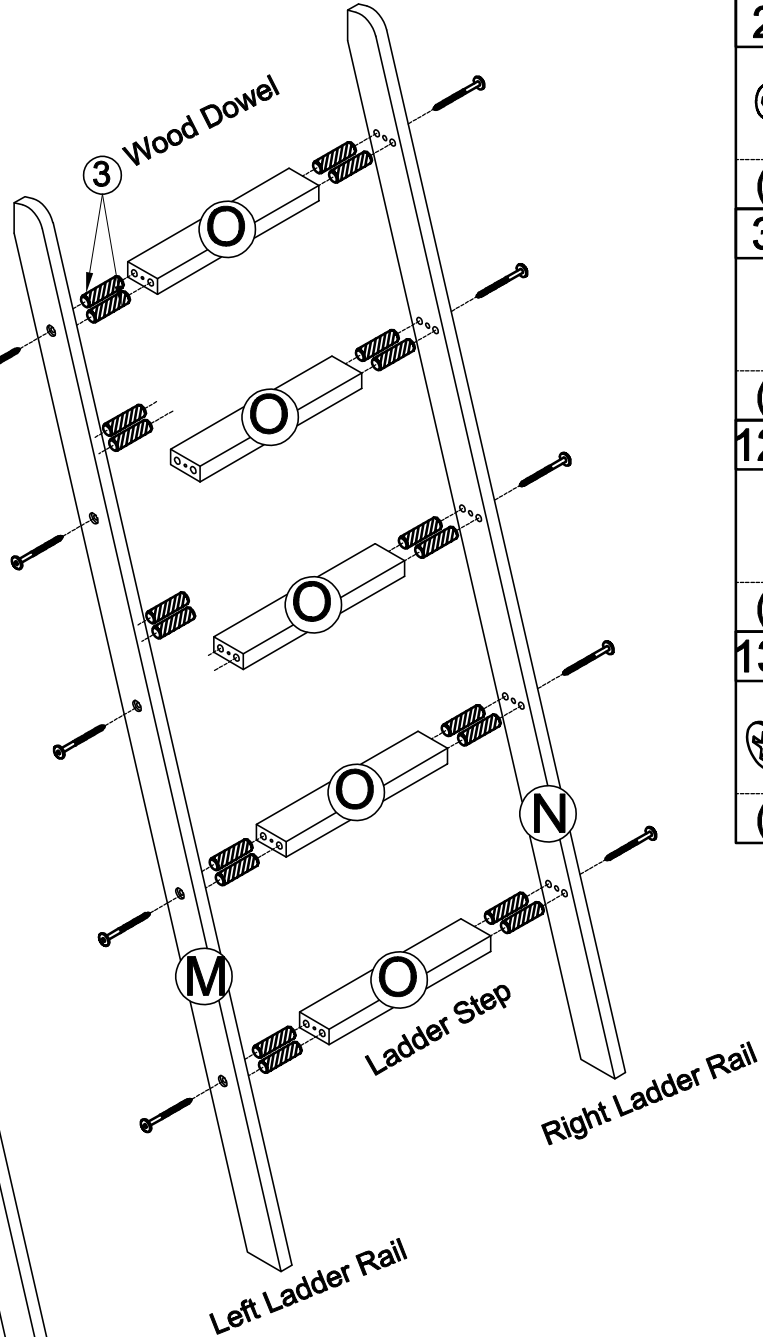



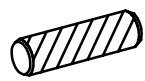
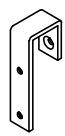
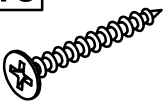
Insert (20) Wood Dowels into the (5) Ladder Steps (Part O). Attach to the Left Ladder Rail (Part M) and Right Ladder Rail (Part N) using (10) 1/4" x 50 Screws. Tighten using Phillips Screwdriver.

1/4" x 50 Screw ②

Attach (2) Brackets to the inside of the assembled ladder using (4) M4 x 20mm Wood Screws. Tighten using a Phillips Screwdriver.

⑫ Bracket  
M4 x 20mm Wood Screw ⑬

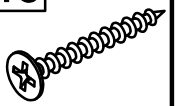


2	
(10pcs)	
3	
(20pcs)	
12	
(2pcs)	
13	
(4pcs)	

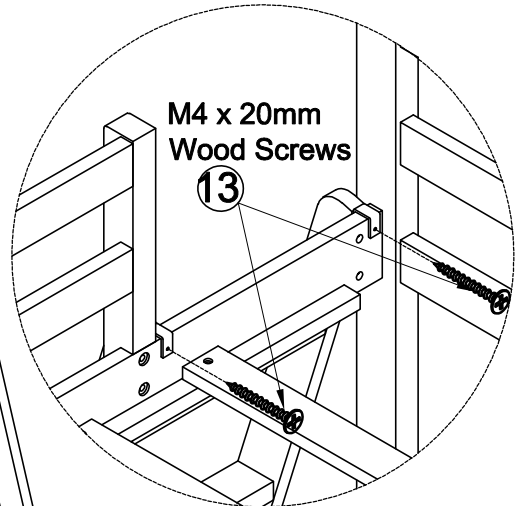
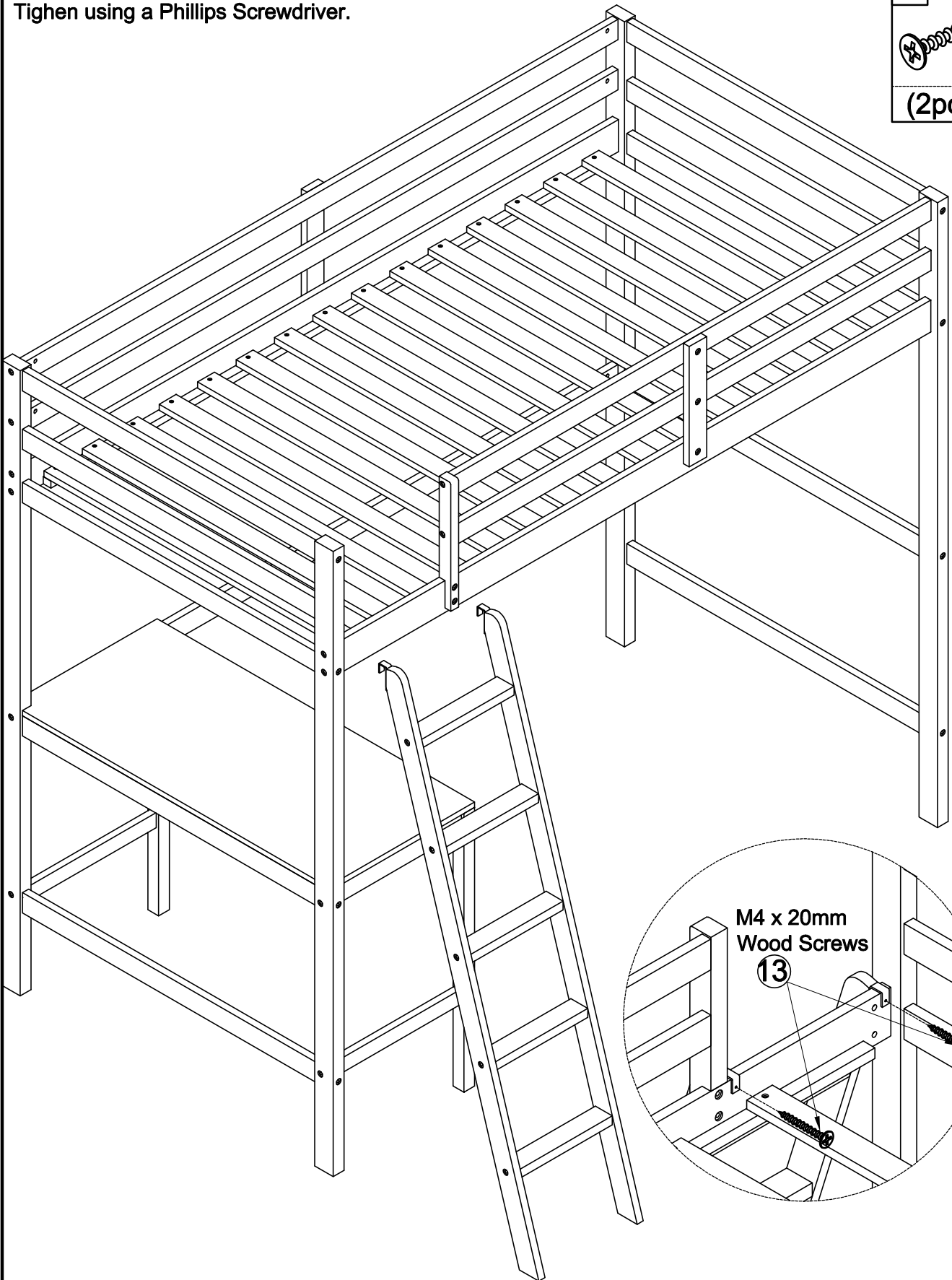


Hook the brackets over the Front Siderail and attach using (2) M4 x 20mm Wood Screws.  
Tighen using a Phillips Screwdriver.

13



(2pcs)



M4 x 20mm  
Wood Screws

13